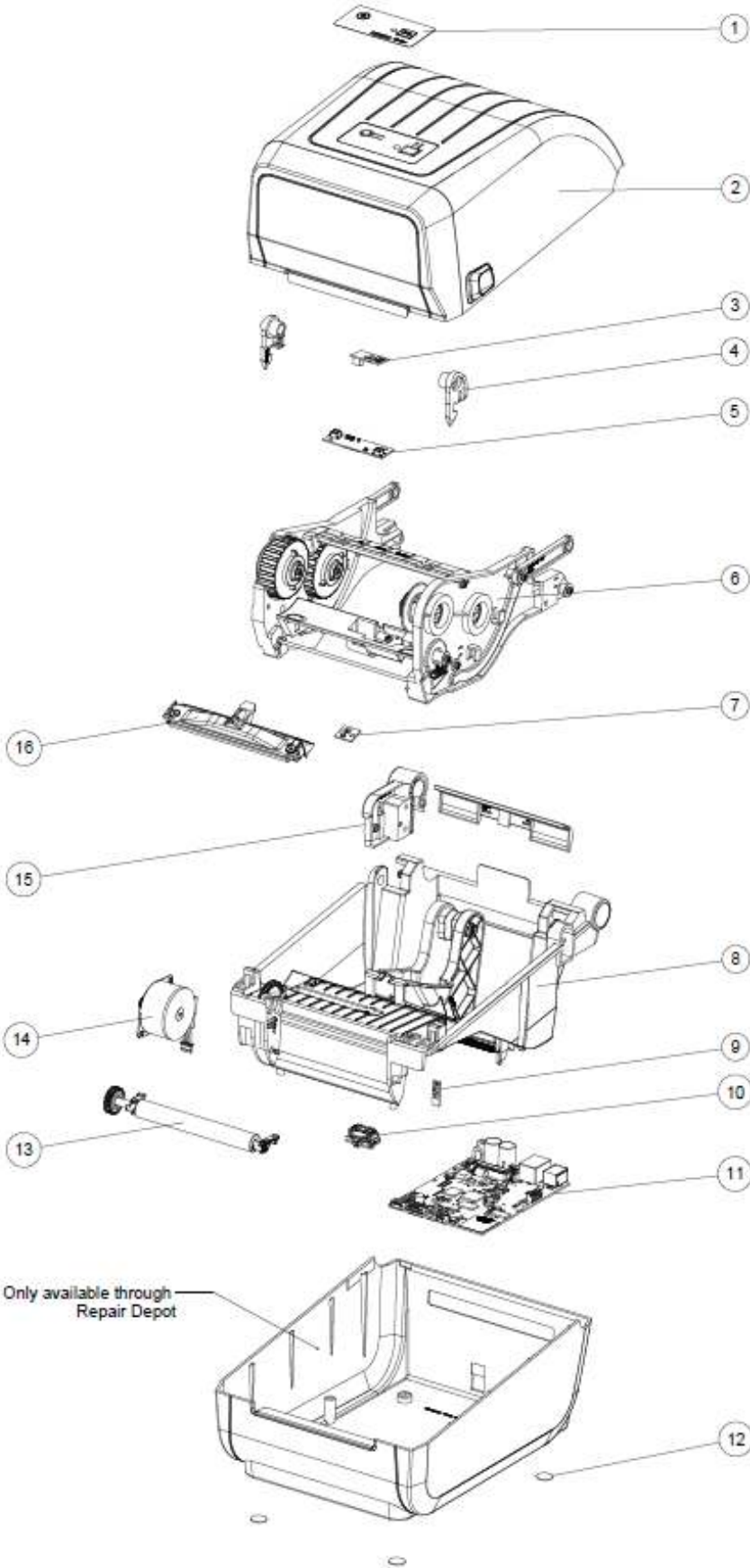


ZD220 & ZD230 Thermal Transfer



## Spare Parts List

### ZD220 & ZD230 Thermal Transfer

Item	Description	Part Number
1	Nameplate for ZD220 Nameplate for ZD230	P1080383-707 P1080383-708
2	Cover Assembly for Gray Colored Models Cover Assembly for White Colored Models	P1080383-812 P1080383-801
3	Ribbon Out Sensor	P1080383-802
4	Latch Assembly	P1080383-803
5	Control Panel PCBA	P1080383-711
6	Ribbon Carriage for 74 meter ribbon rolls	P1080383-804
	Ribbon Carriage for 300 meter or 74 meter ribbon rolls	P1080383-813
7	Upper Media Sensor (Gap Sensor)	P1080383-805
8	Print Mechanism	P1080383-806
9	Cover Open Sensor	P1080383-807
10	Lower Media Sensor (Blackline Sensor)	P1080383-808
11	ZD220 Main Logic Board with USB	P1080383-732
	ZD230 Main Logic Board with USB	P1080383-733
	ZD230 Main Logic Board with USB and Bluetooth	P1080383-734
	ZD230 Main Logic Board with USB and Ethernet	P1080383-735
	ZD230 Main Logic Board with USB and USA & Canada 802.11ac WiFi	P1080383-736A
	ZD230 Main Logic Board with USB and Japan 802.11ac WiFi	P1080383-736B
	ZD230 Main Logic Board with USB and All Countries except USA, Canada & Japan 802.11ac WiFi	P1080383-736C
12	Rubber Feet (set of 4)	P1080383-021
13	Platen Roller 203dpi	P1080383-703
	Bearings for the platen roller, Left & Right (10 each)	P1080383-224
14	Motor Assembly	P1080383-723
15	Covers for Side Hinge and Rear Hinge	P1080383-745
16	Printhead	P1115690
Not Shown	Replacement Cutter (only for replacing a factory installed cutter)	P1080383-809
	Replacement Dispenser (only for replacing a factory installed dispenser)	P1080383-810
	Media Core Adaptors, For 1.5" diameter media cores	P1080383-701
	Ribbon Core Adaptors for 1 inch diameter ribbon cores (1 set)	P1080383-231
	Shipping Pack - Packaging for shipping the printer	P1080383-232
	Power Supply Unattached, 60W (power cords not included)	P1080383-704
	Power Cord, U.S. 120V IEC320C13 (set of 5)	105950-014
	Power Cord, Euro 220V IEC320C13 (set of 5)	105950-015
	Power Cord, U.K. 240V IEC320C13 (set of 5)	105950-030
	Power Cord, Australia 240V IEC320C13 (set of 5)	105950-029
	Power Cord, China 220V C13 (set of 5)	105950-078
	Power Cord, Japan 125V JAPAN C13 (set of 5)	105950-079
	Power Cord, 220V Argentina C13 (set of 5)	105950-080
	Power Cord, 10A NBR 14136, Brazil (set of 5)	P1033401
	Power Cord, C13, 10A, IEC Israel (set of 5)	P1061022-020
	Power Cord India, 10A, IS 1293, C13 (set of 5)	P1080829
	Power Cord, Taiwan, 125V, IEC320C13 (set of 5)	P1079903-035