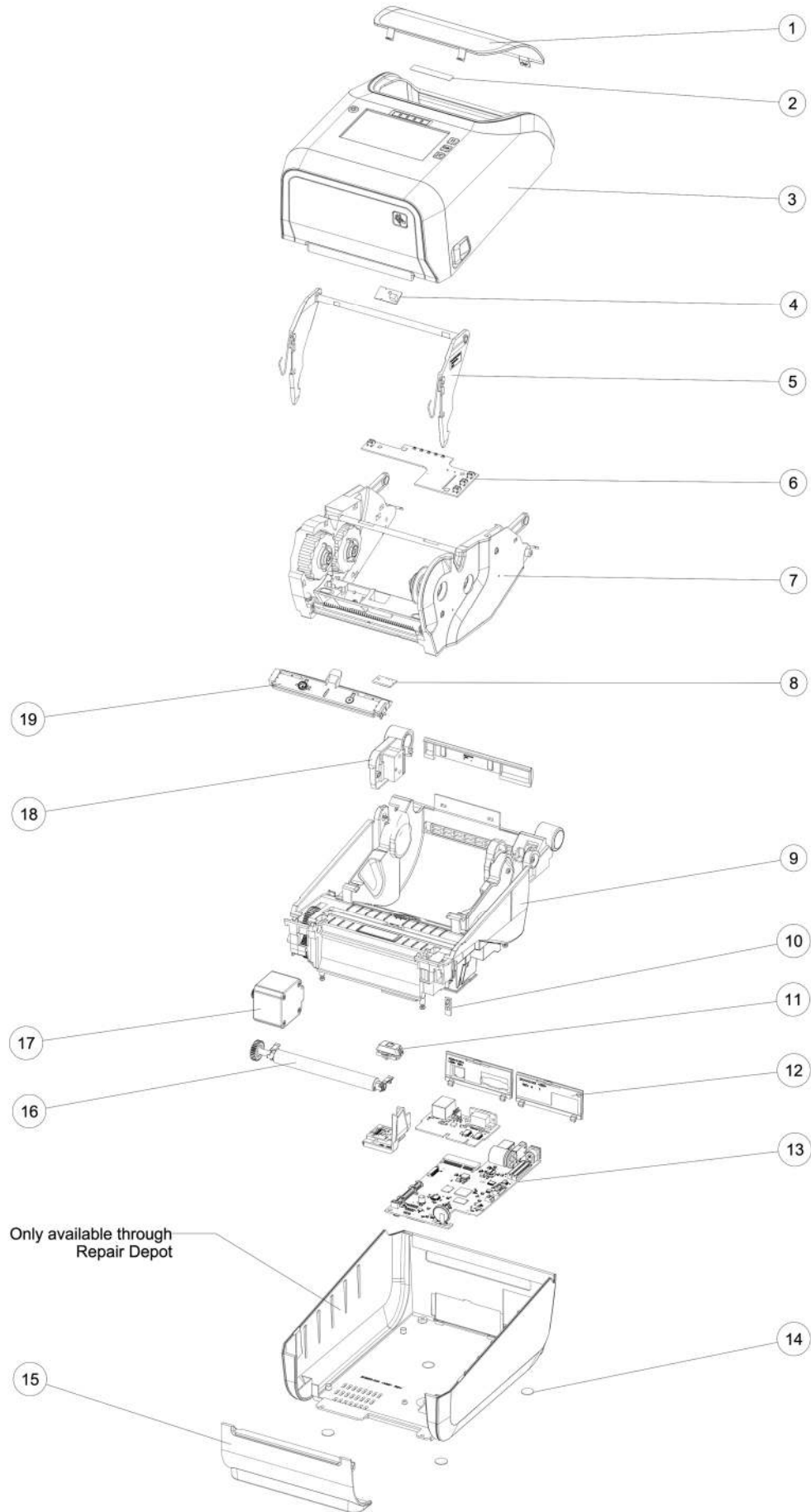


ZD621 Thermal Transfer (203 & 300 DPI)



ZD621 Thermal Transfer (203 & 300 DPI)

Item	Description	Part Number
1	Media Window	P1080383-200
2	Nameplate without LCD Nameplate with LCD	P1112640-222 P1112640-223
3	Cover Assembly for Gray Models with LCD (includes Media Window) Cover Assembly for Gray Models without LCD (includes Media Window) Cover Assembly for White Healthcare Models (includes Media Window)	P1112640-224 P1112640-225 P1112640-226
4	Ribbon Out Sensor	P1112640-227
5	Latch Assembly	P1080383-207
6	Control Panel PCBA without LCD Control Panel PCBA with LCD	P1112640-039 P1112640-228
7	Ribbon Carriage	P1112640-229
8	Upper Media Sensor (Gap Sensor)	P1112640-207
9	Print Mechanism 203dpi Print Mechanism 300dpi	P1112640-234 P1112640-235
10	Cover Open Sensor	P1112640-244
11	Lower Media Sensor (Blackline Sensor)	P1112640-236
12	Rear Bezel for Serial/Ethernet port & WiFi Bezel (includes one of each)	P1112640-237
13	Main Logic Board, USB, USB Host, Bluetooth, Modular Connectivity Slot	P1112640-014
13A	Ethernet and Serial Module WiFi 802.11ac Wireless Module for USA and Canada WiFi 802.11ac Wireless Module for Japan WiFi 802.11ac Wireless Module for all countries except USA, Canada and Japan	P1112640-238 P1112640-239A P1112640-239B P1112640-239C
14	Rubber Feet (set of 4)	P1080383-021
15	Front Bezel, Standard	P1112640-245
16	Platen Roller 203dpi Platen Roller 300dpi Bearings for the platen roller, Left & Right (10 each)	P1112640-251 P1112640-252 P1080383-224
17	Motor Assembly	P1080383-221
18	Covers and Hinge for models without LCD Covers and Hinge for models with LCD	P1080383-225 P1112640-201
19	203 dpi Printhead 300 dpi Printhead	P1112640-240 P1112640-241
Not Shown	Upgrade Kit - Cutter, 4", Full Cut	P1112640-232
	Dispenser, Front Bezel	P1112640-233
	Media Core Adaptors, For 1.5", 2" & 3" diameter cores	P1080383-022
	Ribbon Core Adaptors used to accept 1 inch diameter ribbon cores (1 set)	P1080383-231
	Base Housing for the Battery (When upgrading to battery power functionality, also order the P1080383-603 battery)	P1080383-600
	Battery for Desktop Printers (When upgrading to battery power functionality, also order the P1080383-600 battery housing)	P1080383-603
	Adapter bracket that enables mounting a ZD621T model in the same location as an existing GX420t/GX430t model is currently mounted. Allows usage of the GK420t mounting hole pattern to mount a ZD621T.	P1080383-037
	Shipping Pack - Packaging for shipping the printer	P1112640-249
	Power Supply Unattached, 75W with US & Euro Cords for Gray Standard Models	P1079903-026
	Power Supply Unattached, 75W with US Cord, for White Healthcare Models	P1079903-030
	Power Supply Attached, 75W (power cord not included)	P1080383-234
	Power Cord, U.S. 120V IEC320C13 (set of 5)	105950-014
	Power Cord, Euro 220V IEC320C13 (set of 5)	105950-015
	Power Cord, U.K. 240V IEC320C13 (set of 5)	105950-030
	Power Cord, Australia 240V IEC320C13 (set of 5)	105950-029
	Power Cord, China 220V C13 (set of 5)	105950-078
	Power Cord, Japan 125V JAPAN C13 (set of 5)	105950-079
	Power Cord, 220V Argentina C13 (set of 5)	105950-080
	Power Cord, 10A NBR 14136, Brazil (set of 5)	P1033401
	Power Cord, C13, 10A, IEC Israel (set of 5)	P1061022-020
	Power Cord India, 10A, IS 1293, C13 (set of 5)	P1080829
	Power Cord, Taiwan, 125V, IEC320C13 (set of 5)	P1079903-035